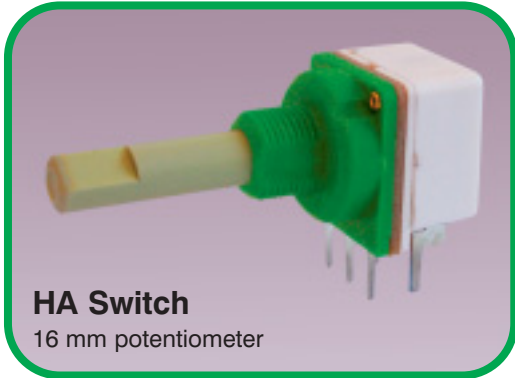


NEW



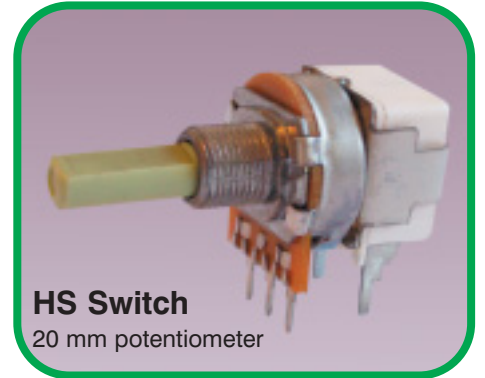
H Series Switch Modules for 16 & 20 mm potentiometers. The upgraded replacement for both the 'IL and ECO/IL' switches



HA Switch
16 mm potentiometer



HR Switch
16 mm potentiometer



HS Switch
20 mm potentiometer

Introduction

H Series rotary switch modules meet the demand for switched potentiometers where the shaft is parallel to the board. The design is based on Omeg's Demko certified rotary switch.

To comply with the established market requirement for spindle axis height and terminal pin footprint, three models are available, the HA, HR and HS.

See Critical Dimension Table below.

Type

Single pole, single throw, rotary switches.

Ratings

4 amp, 250V ac, resistive load, minimum life 10,000 operations. Working temperature range -25°C to +70°C. Contact gap greater than 3 mm for electrical safety.

1 amp, 250V ac, available for Standard switch function only. See diagrams opposite

Connections

PCB pins

Potentiometers

H Series switches can be supplied with E16 (ECO) plastic body potentiometers or P20 metal can body potentiometers. For full details (shaft dia, length, resistance laws, power ratings, etc.), please see www.omeg.com

Critical Dimensions Table

Model Code	Potentiometer Size	Spindle Height	Pitch*
HA	16 mm	12.5 mm	6.0 mm
HR	16 mm	12.5 mm	10.0 mm
HS	20 mm	15.0 mm	10.0 mm

* Pitch in this context means the distance between the potentiometer and switch connector pins. Installation details overleaf.

Switch function

Standard 1 amp and 4 amp	STANDARD N/O normally open SWITCH 	Contacts normally OPEN. Clockwise rotation to CLOSE contacts
Option 1 4 amp only	N/C normally closed SWITCH 	Contacts normally CLOSED. Clockwise rotation to OPEN contacts
Option 2 4 amp only	REVERSED N/O normally open SWITCH 	Contacts normally OPEN at fully clockwise position. Anti-clockwise rotation to CLOSE contacts
Option 3 4 amp only	REVERSED N/C normally closed SWITCH 	Contacts normally CLOSED at fully clockwise position. Anti-clockwise rotation to OPEN contacts

Optional Extras - Knobs



P860 Series Knobs
Push-on or grub screw fixing. For full details please visit: www.omeg.com/p860.htm



P570 Series Knobs
Push fit for 6mm spline spindles. P670 Soft Touch also available. For full details please visit: www.omeg.com/p570.htm



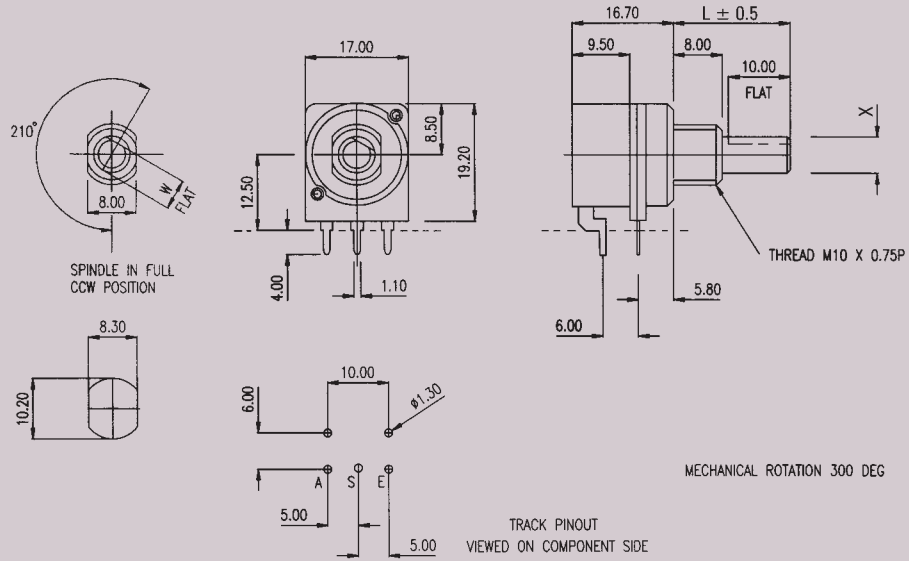
C200 Series Collet Knobs
For full details please visit: www.omeg.com/c200.htm



H Series Switch Modules for 16 & 20 mm potentiometers. The upgraded replacement for both the 'IL and ECO/IL' switches.

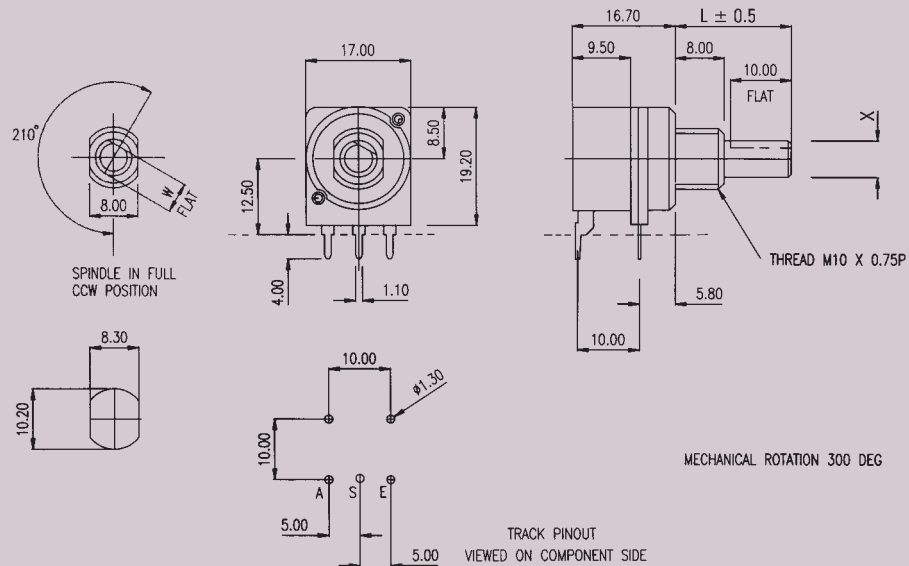
HA switch

16 mm potentiometer



HR switch

16 mm potentiometer



HS switch

20 mm potentiometer

