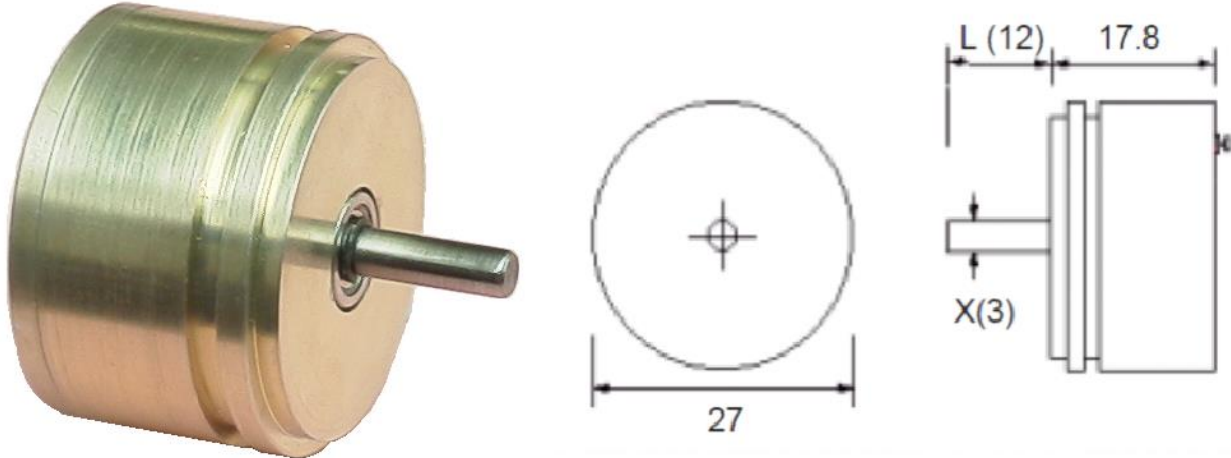


CP11 SERVO

Precision Potentiometer



The servo potentiometers are constructed with a precision ball bearing system and long life flush bonded conductive track. The wipers have multiple fingers to achieve low contact resistance. The Resistive Element is Conductive Plastic (CP)

Mountings are by bush and locknut, servo clamp or 2 hole fixing on the front face.
 A centre tap is available to special order.
 Connection by Terminals or Flying leads.

To Order we require:
 Model(CP11)/Resistance/Angle/Diameter(X)/Length(L)
 See diagram above for (X) and (L)
 See Technical data below for other information

Technical Data

Electrical Data		Mechanical Data	
Resistance Range	1K to 50K	Mechanical Rotation	360° continuous
Resistance Tolerance	±10%	Electrical Angle	355, 300, 90°
Independent Linearity	1% standard	Starting Torque	10 gm-cm Max.
Power Dissipation at 20°C	0.5W	Wiper Velocity	1200°/sec Max.
Insulation Resistance	50 M ohms		(200 rpm)
	At 500V dc		
Dielectric Strength	1000 V rms	Life	>10 million cycles
Temperature Coefficient	±300 ppm/°C	Temperature Range	- 20° C to + 120° C

This information is supplied in good faith but the customer is politely reminded that it is their responsibility to check the suitability of our products for their particular application, production techniques and processes. Please note that all dimensions are for reference purposes only and, as it is the Company's policy to continuously improve our products, we reserve the right to incorporate changes without notice. Please read our terms and conditions before purchasing our products. Published 01-02- 2018