



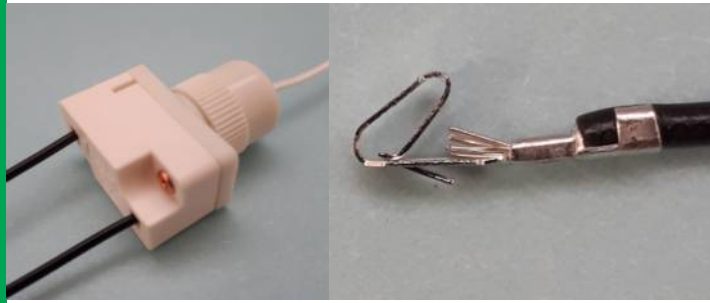
## CORD PULL FOR PLUG IN CONNECTOR

### RATINGS

1 A 250 V a.c.

0.5A 250 V d.c.

Silver plated contacts for low current applications



### SWITCH

TYPES	ORDER CODE
<b>Pull On / Pull Off (OO)</b> Make and break action	C1OO
<b>Momentary Action (NO)</b> Pull to make, release to break e.g. Bell Pull	C1NO
<b>Momentary Action (NC)</b> Pull to break, release to make	C1NC

**MOMENTARY ACTION SWITCHES ARE NON STANDARD AND AVAILABLE UPON REQUEST**

### STANDARD SWITCHES

Omeg manufactured Castelco switches have a M10 metric threaded mounting bush and fixing ring.

### WIRING

Wires are connected by plug in crimp connectors as detailed in the box below left.

Pre-crimped wires are available, details below

### STANDARD COLOURS

The switch body and cord are white. The fixing ring and bead can be either white or cream.

### WIRING

CABLE ENTRY	USE WITH CRIMP CONNECTORS	ORDER CODE
<b>REAR FACE</b>	MOLEX KK254 SERIES 2759	RC
	TAICOM 1012	

### CORD

LENGTH	WHITE	RED	ORANGE
30 cm	030W	030R	030N
60 cm	060W	060R	060N
100 cm	100W	100R	100N
200 cm	200W	200R	200N

### BEAD

TYPE	WHITE	CREAM	BLACK
Tubular (Ø 6 x 17mm)	17W	17C	17B
Tubular (Ø 8 x 22mm)	22W	22C	-
Globe (Ø 14 x 12mm)	GBW	-	-

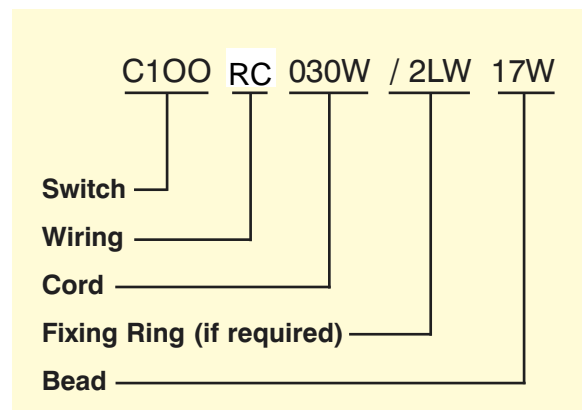
### ACCESSORIES

ITEM	ORDER CODE
Fibre washer (Ø 15.9 x 1.2mm thick)	44
Hex. lock nut (M10)	65

### FIXING RING

ITEM	ORDER CODE
Long fixing ring, White ( <i>drawing overleaf</i> )	2LW
Long fixing ring, Cream ( <i>drawing overleaf</i> )	2LC
Short fixing ring, White ( <i>drawing overleaf</i> )	2SW
Short fixing ring, Cream ( <i>drawing overleaf</i> )	2SC

### ORDERING CODES



Example above: C100RC030W/2LW17W is a cord pull single pole switch, pull on/pull off action, crimp connector wiring, with a 30cm long white cord, a long white fixing ring and a 17mm long white tubular bead.



# CORD PULL FOR PLUG IN CONNECTOR

## CRIMP CONNECTOR SWITCHES

**GENERAL ELECTRICAL AND MECHANICAL SPECIFICATION**

Contact rating	1A/250 Vac 0.5A/250 Vdc
Life	10,000 ops min at rated load
Switch contacts	Phosphor bronze
Housing	Glass filled Polyester flame retardent
Operating temperature	-25 to + 70 C
Insulation resistance	50,000 Megohms
Proof voltage	2KV min
Contact gap	1 mm

## FIXING RINGS

**SHORT FIXING RING**  
for panel thickness 3.5 – 6.5 mm

**LONG FIXING RING**  
for panel thickness 0.5 – 3.5 mm

## WIRES

Omeg Limited can supply wires with suitable connector crimps attached.

Please contact sales for full details and to discuss your requirements



**OMEG LIMITED**, Imberhome Industrial Estate, East Grinstead, West Sussex, RH19 1RJ, England

Tel 01342 410420 Fax 01342 316253 Email: sales@omeg.co.uk Web: www.castelco.co.uk

All rights reserved © Omeg Ltd 2018

CORD PULL SINGLE POLE