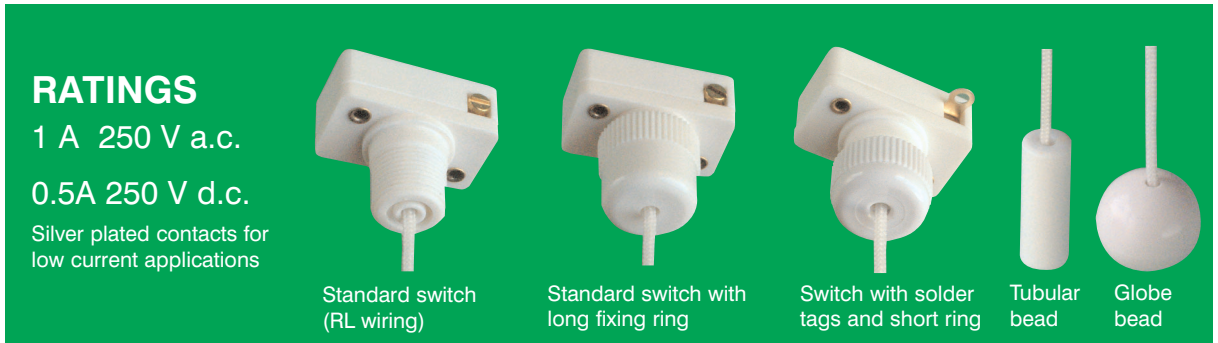




# CORD PULL SINGLE POLE SWITCHES

CORD PULL SINGLE POLE



### RATINGS

1 A 250 V a.c.

0.5A 250 V d.c.

Silver plated contacts for low current applications

Standard switch (RL wiring)

Standard switch with long fixing ring

Switch with solder tags and short ring

Tubular bead

Globe bead

### SWITCH

TYPES	ORDER CODE
<b>Pull On / Pull Off (OO)</b> Make and break action	C100
<b>Momentary Action (NO)</b> Pull to make, release to break e.g. <b>Bell Pull</b>	C1NO
<b>Momentary Action (NC)</b> Pull to break, release to make	C1NC

### WIRING

CABLE ENTRY	CLAMPING SCREW POSITION	ORDER CODE
Rear face	Long side of body	RL
Rear face	Short side of body	RS
Short side of body	Long side of body	SL
Mounting face	Long side of body	ML
Solder Tags (Long side of body)		ST

### CORD

LENGTH	WHITE	RED	ORANGE
30 cm	030W	030R	030N
60 cm	060W	060R	060N
100 cm	100W	100R	100N
200 cm	200W	200R	200N

### BEAD

TYPE	WHITE	CREAM	BLACK
Tubular (Ø 6 x 17mm)	17W	17C	17B
Tubular (Ø 8 x 22mm)	22W	22C	-
Globe (Ø 14 x 12mm)	GBW	-	-

### ACCESSORIES

ITEM	ORDER CODE
Fibre washer (Ø 15.9 x 1.2mm thick)	44
Hex. lock nut (M10)	65

### STANDARD SWITCHES

Omeg manufactured Castelco switches have a M10 metric threaded mounting bush and fixing ring.

### WIRING

Screwed terminal locations will be as shown overleaf (order code RL, see table opposite).

### STANDARD COLOURS

The switch body and cord are white. The fixing ring and bead can be either white or cream.

### FIXING RING

ITEM	ORDER CODE
Long fixing ring, White ( <i>drawing overleaf</i> )	2LW
Long fixing ring, Cream ( <i>drawing overleaf</i> )	2LC
Short fixing ring, White ( <i>drawing overleaf</i> )	2SW
Short fixing ring, Cream ( <i>drawing overleaf</i> )	2SC

### ORDERING CODES

C100 RL 030W / 2LW 17W

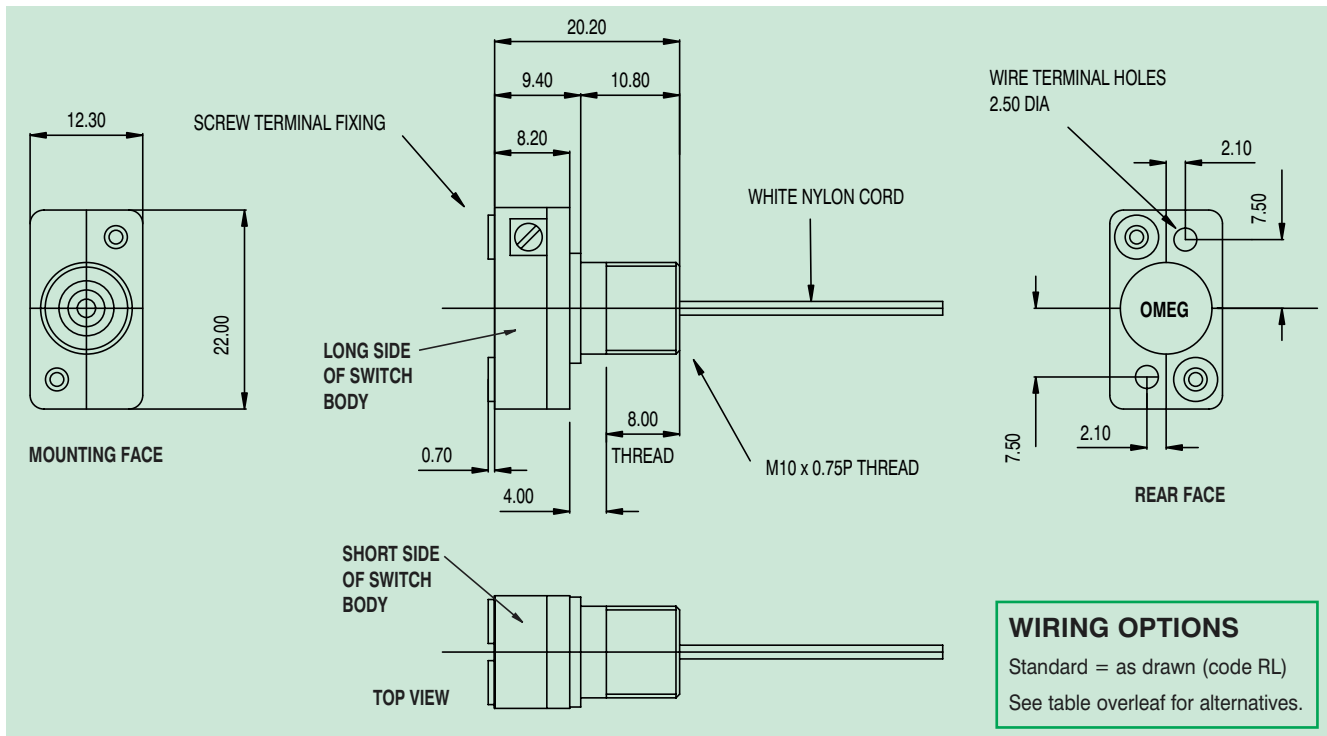
Example above: C100RL030W/2LW17W is a cord pull single pole switch, pull on/pull off action, standard RL wiring, with a 30cm long white cord, a long white fixing ring and a 17mm long white tubular bead.



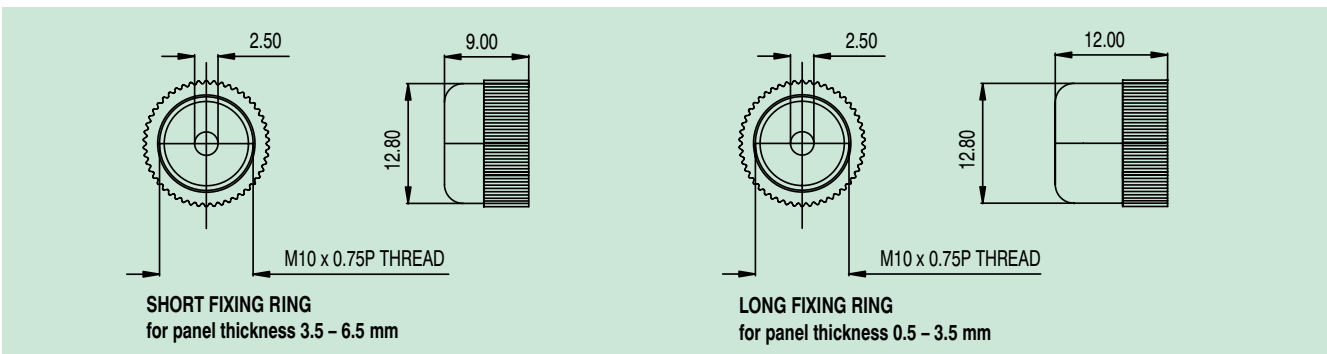
# CORD PULL SINGLE POLE SWITCHES

(as formerly manufactured by CASTELCO)

## STANDARD UNITS



## FIXING RINGS



## GLOSSARY OF SWITCH TERMINOLOGY

### SINGLE POLE (SP or 1S)

One circuit that is turned 'on' and then 'off' with each actuation. This action can be momentary.

### DOUBLE POLE (DP or 2S)

Two independent circuits that are turned 'on' and then 'off' with each actuation. This action can be momentary.

### TWO-CIRCUIT CHANGEOVER (CH)

Make and break, reversed action.

When the switch is actuated, circuit one turns 'on' and circuit two turns 'off'.

When the switch is actuated again the two circuits are reversed, circuit one turns 'off' and circuit two turns 'on'.

### PULL ON / PULL OFF (OO)

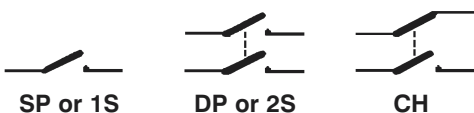
Each action returns the switch to the previous state and it stays in that state. However, unlike a switch with a lever (or similar external indication) you cannot know what state the switch is in until it is connected to an electrical circuit.

### MOMENTARY ACTION

NC – normally closed 'Pull to break, release to make'.

NO – normally open 'Pull to make, release to break' e.g. Bell action.

(Note: The 'Normal' position is when the switch is at rest i.e. NOT actuated).



OMEG LIMITED, Imberhorne Industrial Estate, East Grinstead, West Sussex RH19 1RJ  
Tel: 01342 410420 Fax: 01342 316253 Email: sales@omeg.com Web: www.castelco.co.uk

CORD PULL SINGLE POLE